

**WATER DRIP TEST CHAMBER (IP GRADE: IPX1, IPX2)**

**PRODUCT DETAIL**



## GENEAL SPECIFICATIONS

Packaging Dimensions: (W\*D\*H) 1400\*1600\*2300mm

Power supply source: single-phase, 220V±10%, 50/60Hz (can be appointed)

Gross Weight: 300kg

HS Code: 8424899909

## STANDARD FEATURES

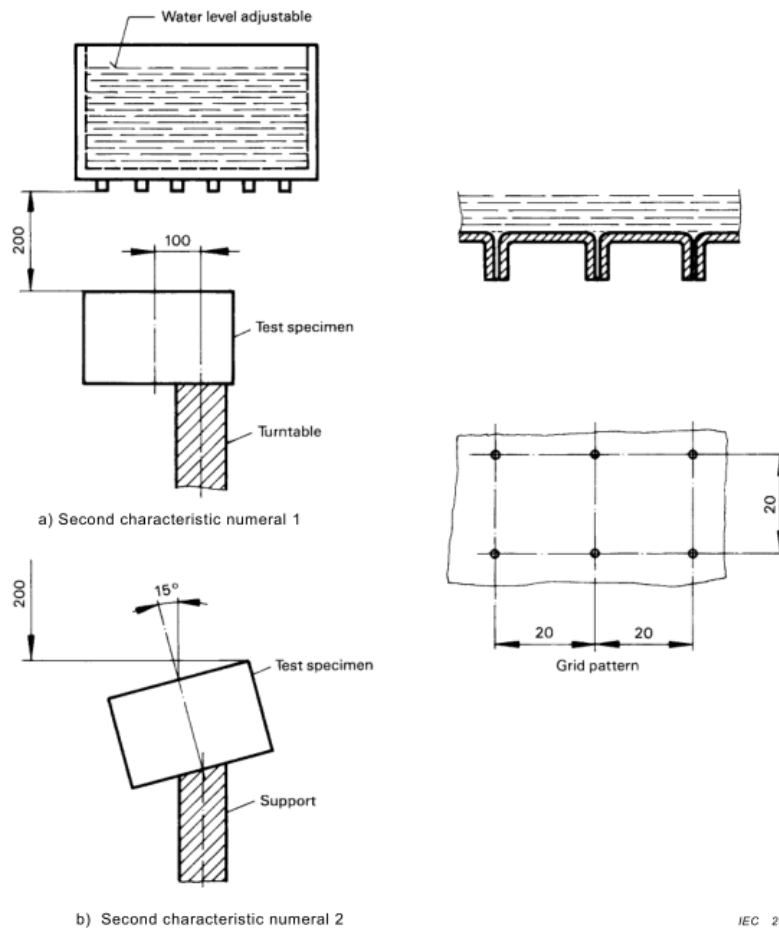
Item	Specification
Inner Chamber size(W*D*H)	1000*1000*1000mm(can be customized)
Internal Chamber size(W*D*H)	1200*1400*2100mm
Chamber material	Stainless steel #304, Waterproof Toughened glass observation window
Sample turntable	Diameter 500mm
Turntable rotation speed	1~10r/min, height can be adjusted
Water drop speed	1 or 3mm/min, can be adjusted
Drip box size	400*400mm
Distance from drip box to specimen surface	200mm
Water drop hole diameter	0.4mm
Distance from water drop hole	20mm
Test duration	1~999,999min, adjustable
Turntable angle for IPX2	15° inclined on either side of the vertical in two mutually perpendicular planes
Safety protection device	Leakage, short circuit, motor over temperature...

## DRIP BOX



*Image for reference only*

DESIGN DRAWING



IEC 281/01

Dimensions in millimetres

## WATER SPRAY TEST CHAMBER (IP GRADE: IPX3, IPX4)

### EQUIPMENT DETAILS



PLC Controller



Sample turntable & oscillating tube

### GENEERL SPECIFICATIONS

Packaging Dimensions: (WxDxH) 1480\*1300\*1850mm  
 Power supply source: single-phase, 220V±10%, 50/60Hz (can be appointed)  
 Gross Weight: 500kg  
 HS Code: 8424899909

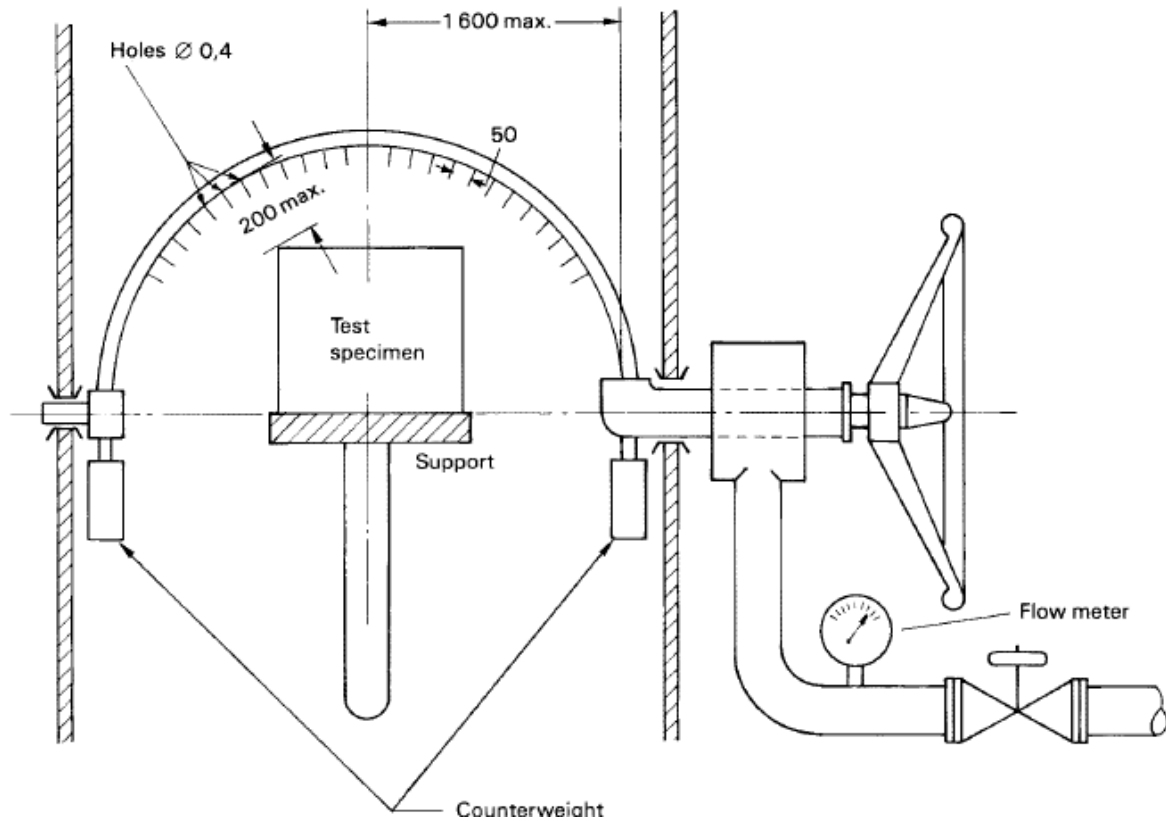
## STANDARD FEATURES

Item	Specification
Internal dimension(W*D*H)	1000*1000*1000mm(can be customized)
External dimension(W*D*H)	1300*1100*1700mm
Oscillating tube	Radius 400mm
Oscillating angle	IPX3: spray ±60° from vertical line to each side, total 120° IPX4: spray ±180° from vertical line to each side, total 360°
Oscillating speed	IPX3: 2*120° for 4s IPX4: 2*360° for 12s
Spray nozzle	Diameter: 0.4mm, removable Ensure the water sprays in a line and without tolerance
Distance between two nozzles	50mm
Turntable dimension	500mm
Turntable rotation speed	1-3 cycles/min
Water flow of each nozzle	0.07 L/min +5%
Test duration	1~999,999min, adjustable
Pressure gauge	80-150Kpa
Material	Chamber - Stainless steel ; Spray nozzle - Brass

## APPLICATIONS& FEATURES

1. To be used in testing external lighting and signal device and vehicle lamps shell protection.
2. Cyclic test includes conditions: heating, watering
3. The internal chamber has lighting device
4. Rain time, rain interval time and rainfall strength can be adjusted and controlled separately.

## DESIGN DRAWING



**Table 9 – Total water flow rate  $q_v$  under IPX3 and IPX4 test conditions –  
 Mean flow rate per hole  $q_{v1} = 0,07$  l/min**

Tube radius $R$ mm	Degree IPX3		Degree IPX4	
	Number of open holes $N^{1)}$	Total water flow $q_v$ l/min	Number of open holes $N^{1)}$	Total water flow $q_v$ l/min
200	8	0,56	12	0,84
400	16	1,1	25	1,8
600	25	1,8	37	2,6
800	33	2,3	50	3,5
1 000	41	2,9	62	4,3
1 200	50	3,5	75	5,3
1 400	58	4,1	87	6,1
1 600	67	4,7	100	7,0

1) Depending on the actual arrangement of the hole centres at the specified distance, the number of open holes  $N$  may be increased by 1.

## WATER SHOWER TEST CHAMBER (IP GRADE: IPX5, IPX6)

### PRODUCT DETAILS



### GENEERL SPECIFICATIONS

Packaging Dimensions: (W\*D\*H) 1600\*1400\*2000mm x 2

Power supply source: single-phase, 220V±10%, 50/60Hz (can be appointed)

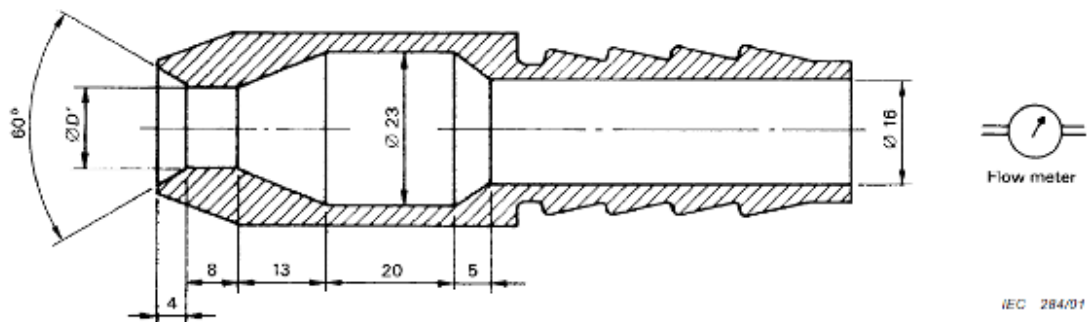
Gross Weight: 560kg

HS Code: 8424899909

## STANDARD FEATURES

Item	Specification	
Internal chamber size(W*D*H)	1000*1000*1000mm(can be customized)	
External chamber size(W*D*H)	1400*1200*3500mm	
IP Code	IPX5	IPX6
Internal diameter of the nozzle	6.3mm	12.5mm
Delivery rate	12.5l/min ± 5%	100l/min ± 5%
Core of the substantial stream	Circle of approximately 40mm diameter at 2.5m distance from nozzle	Circle of approximately 120mm diameter at 2.5m distance from nozzle
Chamber material	Internal: SUS304 stainless steel, external: stainless steel	
Test duration per square meter of enclosure surface area likely to be sprayed	1 min	
Minimum test duration	3 min	
Controller	PLC touch screen	
Distance from nozzle to enclosure surface	Between 2.5m and 3m	
Sample rotatory table	Diameter 500mm, rotation speed adjustable	
Power	AC380V, 50Hz, three phase	

## SPRAY NOZZLE DESIGN DRAWING



Dimensions in millimetres

D' = 6,3 for the test of 14.2.5 (second characteristic numeral 5)

D' = 12,5 for the test of 14.2.6 (second characteristic numeral 6)

Figure 6 – Test device to verify protection against water jets (hose nozzle)



---

## WATER IMMERSION TEST CHAMBER (IP GRADE: IPX7, IPX8)

### EQUIPMENT DETAILS



## GENERAL SPECIFICATIONS

Packaging Dimensions: (W\*D\*H) 1700\*1380\*2100mm

Power supply source: three-phase, 380V±10%, 50/60Hz (can be appointed)

Gross Weight: 400kg

## STANDARD FEATURES

Item	Specification
Internal dimension	Diameter 1000* height 1000mm
Chamber material	SUS#304, thickness 2mm
Water depth	Simulate 50m depth by air compressor
Water pressure	Ambient to 0.5MPa, pressure gauge accuracy 0.25 degree
Timer	0 ~ 99min, 99sec
Sample lift device	Portable stainless steel basket
Water level display	Water pipe with scale
Protection device	Pressure protection and anti-explosive device, water drain and pressure release device
Safety protection	Power overload protection, short circuit protection, grounding protection, alarm display